

idTij

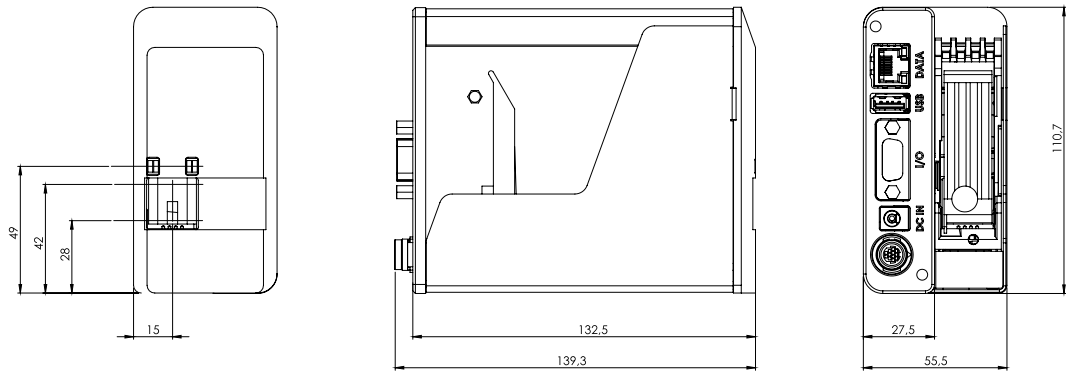
THERMAL INKJET PRINTER

High resolution printing solution for industrial sector



idTij by **MACSA**
Smart. Easy. Clean

Macsa id
a code you can trust



Dimensions	55,5w x 110,7h x 139,3 l
Features	<ul style="list-style-type: none"> • Little, compact, robust • High speed coding • Several user interfaces that adapt to every need: <ul style="list-style-type: none"> - Buttons on the equipment - 10" Touchscreen HMI - Sending from the PC and the design software • Wide range of inks available for every use.
Applications	<ul style="list-style-type: none"> • Coding and identification
Printing features	<ul style="list-style-type: none"> • Printing height: ½ inch / 12,5mm. • Maximum printing length: unlimited • Distance to Surface: 1-3 mm • Maximum printing speed: 300 dpi - 150m/min (other speeds and resolution available) • Inputs available for selecting messages from PLC • Encoder and internal or external shooting photocell • Printing direction: Left -> Right-Right -> Left according to settings or input
Printing facilities	<p>True Type Fonts: yes Storage: as many messages as space in hardisk Counters: unlimited Hours: unlimited Dates: unlimited Barcodes: unlimited 2D codes: unlimited Logos and graphics: unlimited</p>
Connections	<ul style="list-style-type: none"> • USB Pen Drive • RJ45 • GPIO port VGA 15: <ul style="list-style-type: none"> - Encoder - External Photocell - BCD - Invert Print direction.
Enviroment conditions	<p>Temperature °C: from 0° to + 45° Relative dampness: up to 90%</p>
Electrical requirements	<p>Electrical supply: 95V to 250V AC Frequency: 50/60 Hz</p>
Substrates	<p>Wide range of inks for porous and non-porous substrates Packaging: 42ml cartridges</p>